

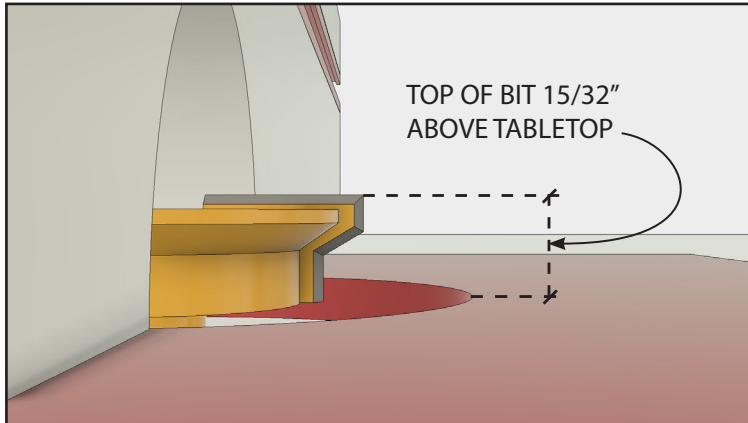
YONICO

PROFESSIONAL ROUTER BITS

Step-by-Step Instructions
Yonico Item #15133

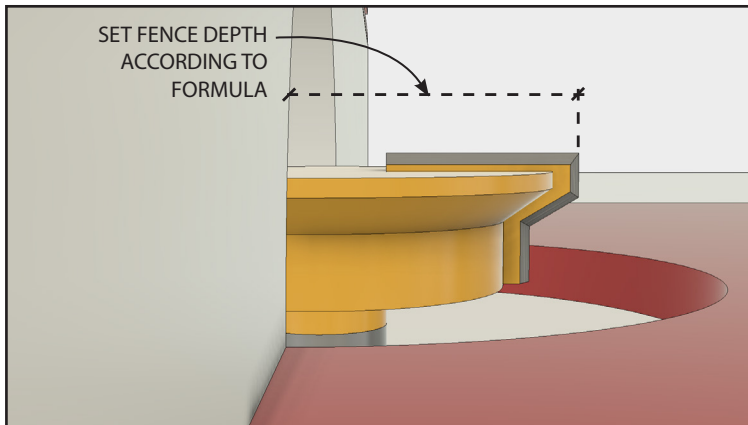
Use this bit to make strong drawer front joints. Route the ends of the drawer front, and then adjust the fence to route the sides. Drawer sides should be at least 3/8" thick. Fronts should be 3/4" thick.

Step 1: Set the bit height.



Install the bit in your router table. Adjust the bit until the top edge of the cutter is 15/32" above the tabletop.

Step 2: Position the fence:

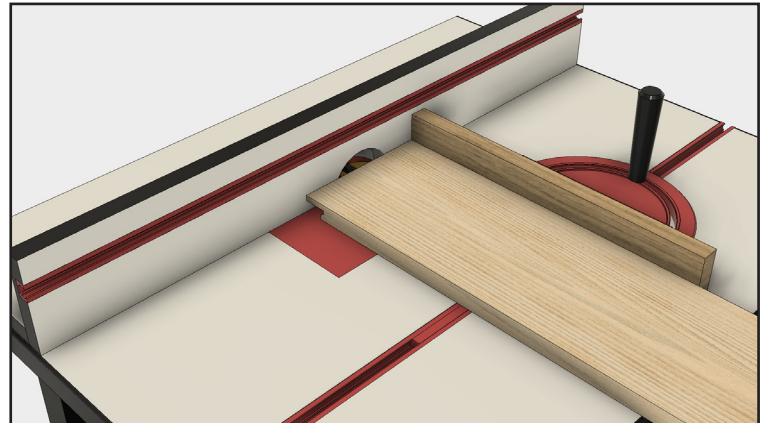


Determine the fence depth with the following formula:

$$\text{Fence depth} = (\text{drawer front width} - \text{inside drawer width})/2$$

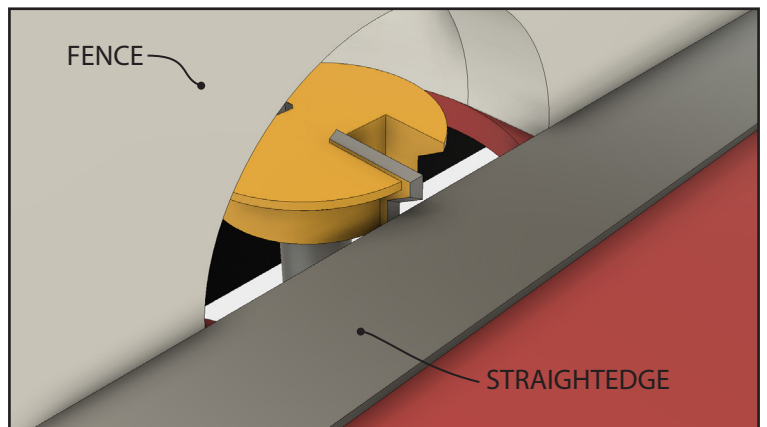
The fence depth for a 16" wide drawer front and an interior drawer width of 12" should be 2" $((16-12)/2=2)$. Because this is quite a bit of material to route in one pass, you should make several shallow passes, working up to the final depth of 2".

Step 3: Route the drawer fronts.



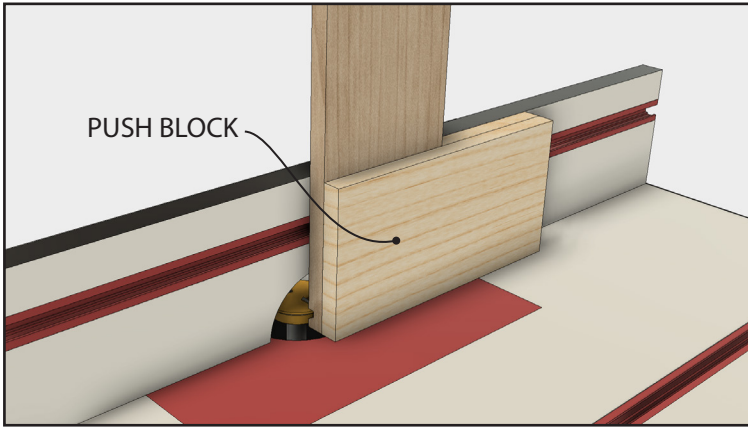
Route both ends of your drawer fronts face up, using a miter gauge and a backer board to feed the work through the bit. If you're going to make more than one drawer, route all the fronts before moving on to the next step. You'll have to move the fence to route the sides.

Step 4: Adjust the fence for the drawer sides.



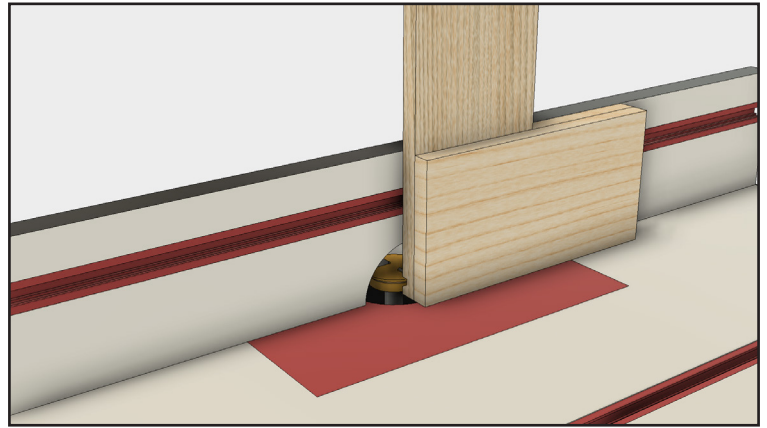
With the fronts routed, you can adjust the fence depth, but don't change the bit height. Use a straightedge to align the lower cutting edge of the bit with the fence.

Step 5: Make a test cut.



Use a piece of scrap material to make a test cut. Check the joint's fit. A backer board or push block will make feeding the work through the router much easier, as well as safer. You can make a simple push block with two pieces of scrap glued and screwed together.

Step 6: Route the drawer sides.



Route each drawer side with the material standing on its edge, using a push block for safety and stability. The drawer parts are now ready for assembly.